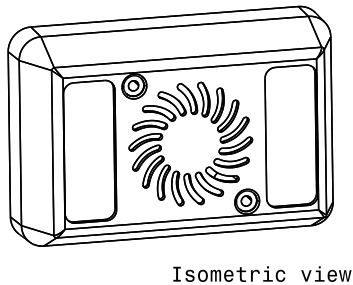
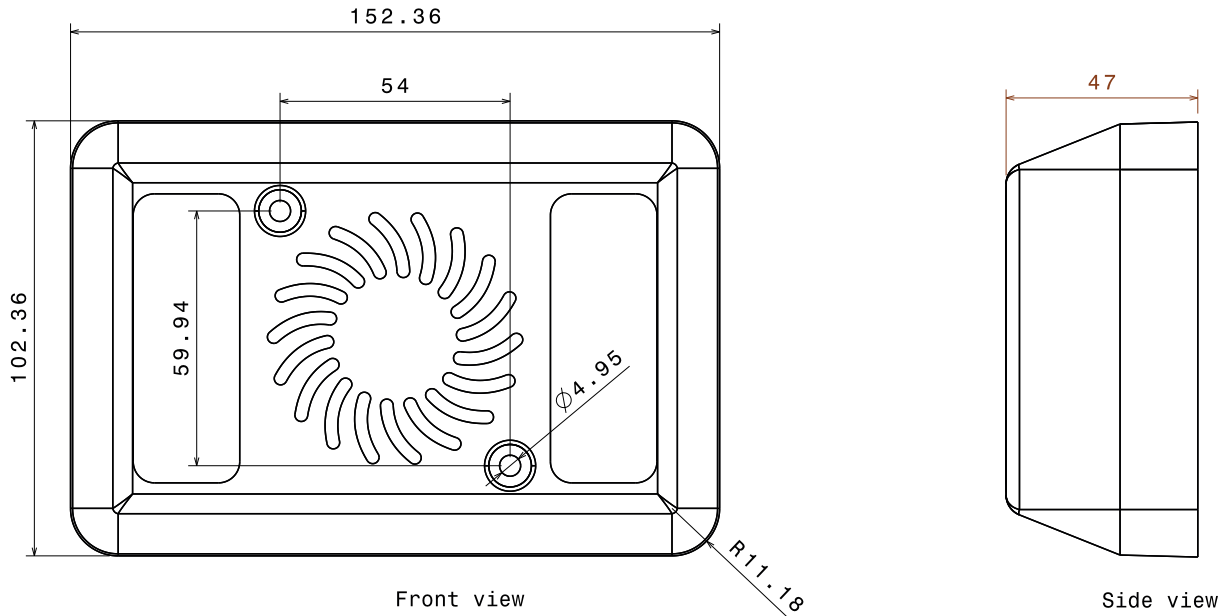




ALARMALIGHT®

Patent Pending GB1201694.5



WIRING INSTRUCTIONS
 RED TO REVERSE LIGHT
 BLACK TO EARTH
 ORANGE TO SIDE LIGHT (MUTE)
 GREEN TO FOG LIGHT (OVERRIDE)
 WHITE TO DASH SWITCH (LIGHTS ONLY)
 YELLOW TO SYNCHRONISE WITH OTHER DEVICES*

*Not all units synchronise – please ask your distributor for further details.

SPECIFICATION

1. RATED VOLTAGE 12-24V
2. WORKING VOLTAGE RANGE 12V THROUGH 24V
3. RATED CURRENT 550 MA
4. MIN DB RATING 92dB (BEEP)/85 dB (SPEECH)
5. FREQUENCY 950 +/- 10%
6. MODULATION 70 PER MINUTE
7. OVERVOLTAGE AND SURGE PROTECTED
8. REVERSE POLARITY PROTECTED
9. FULLY ENCAPSULATED WATERPROOF TO IP67
10. ALL DIMENSIONS ARE IN MILLIMETRES
11. CASE MATERIAL ABS/ACRYLIC LENS
12. OPERATING TEMPERATURE -40° TO +50°
13. CABLE LENGTH 330MM

DRAWING NO: AVAL280W AVAL215CW
CUSTOMER PART NO:
CUSTOMER:
AMBER VALLEY DEVELOPMENTS LLP