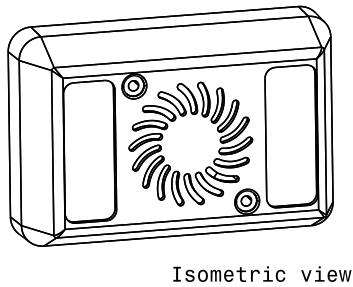
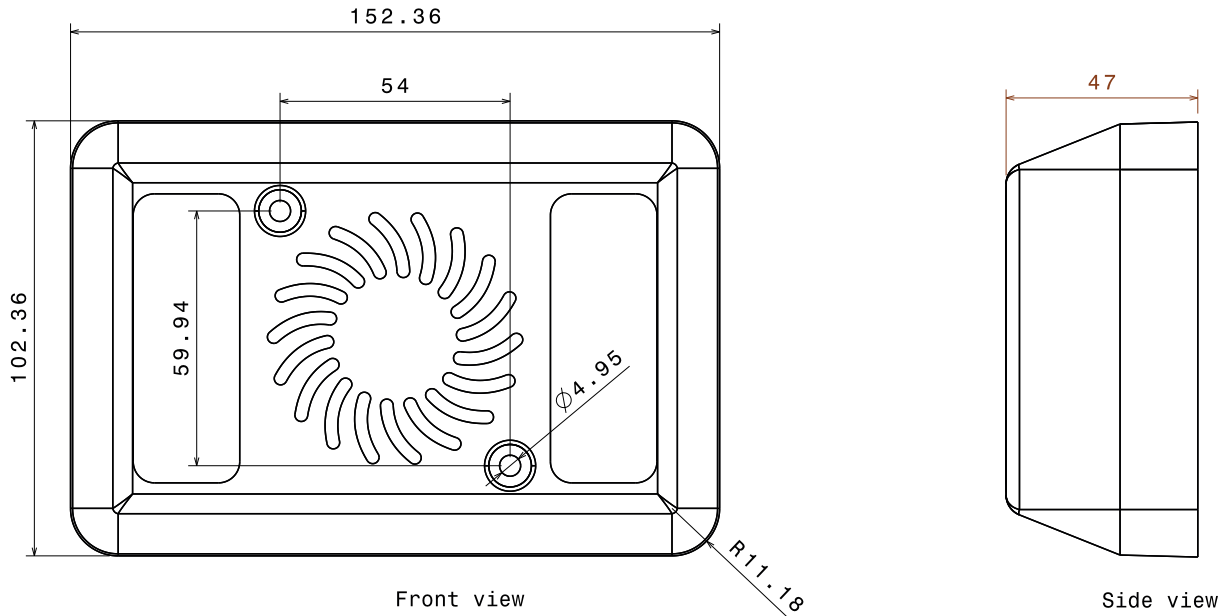




INDICATOR ALARMALIGHT®

The Ultimate Alarm and Light Warning System

Saving Lives Every Day



WIRING INSTRUCTIONS:
 RED TO PERMANENT FEED
 BLACK TO EARTH
 GREEN TO CORRECT SIDE OF FLASHER UNIT (ACTIVATE)
 ORANGE TO OPPOSITE SIDE OF FLASHER UNIT (MUTE)
 WHITE TO DASH SWITCH (½ VOLUME)

SPECIFICATION

1. RATED VOLTAGE 12-24V
2. WORKING VOLTAGE RANGE 12V THROUGH 24V
3. RATED CURRENT 550 MA
4. MIN DB RATING 92dB (BEEP)/85 dB (SPEECH)
5. FREQUENCY 950 +/- 10%
6. MODULATION 70 PER MINUTE
7. OVERVOLTAGE AND SURGE PROTECTED
8. REVERSE POLARITY PROTECTED
9. FULLY ENCAPSULATED WATERPROOF TO IP67
10. ALL DIMENSIONS ARE IN MILLIMETRES
11. CASE MATERIAL ABS/ACRYLIC LENS
12. OPERATING TEMPERATURE -40° TO +50°
13. CABLE LENGTH 330MM

DRAWING NO: AVAL2-14CLHO AVAL2-14CRHO
CUSTOMER PART NO:
CUSTOMER:
AMBER VALLEY DEVELOPMENTS LLP