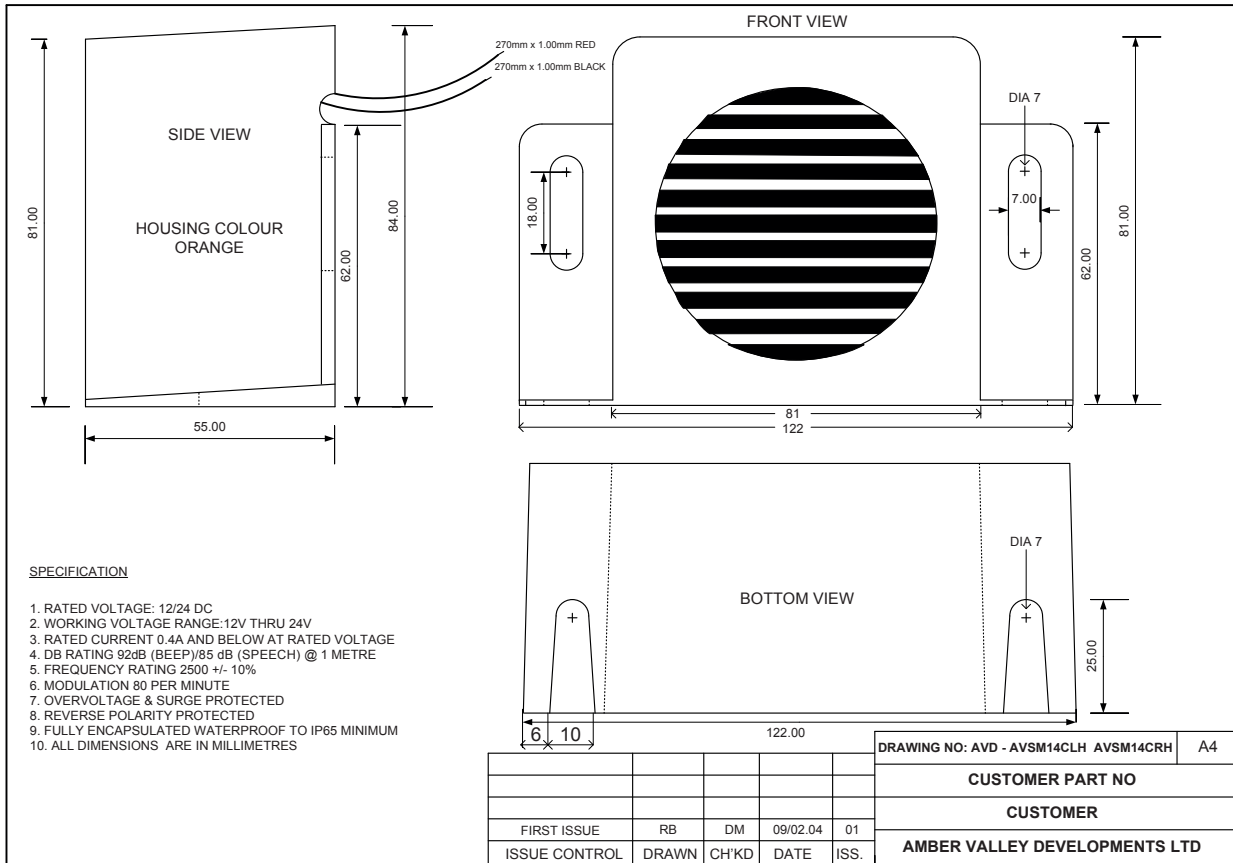




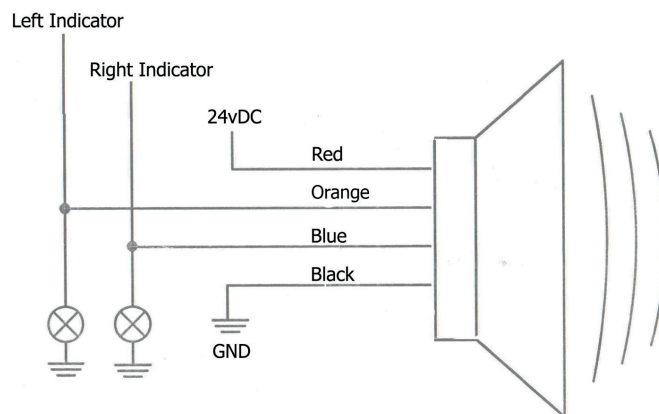
SIDEMINDER SYSTEMS

Saving Lives Every Day



Fitting Instructions

- Please ensure all wiring connections are sealed to prevent water ingress
- All wiring should be adequately protected using conduit where necessary. Avoid running wires across moving parts
- Siren should be positioned facing outwards towards the near side of the road to ensure maximum volume level for pedestrians / cyclists. Do not cover the siren



IP67 rated
Rated Voltage: 24vDC
Max current draw: 250mA