



ADD-ON MODULES

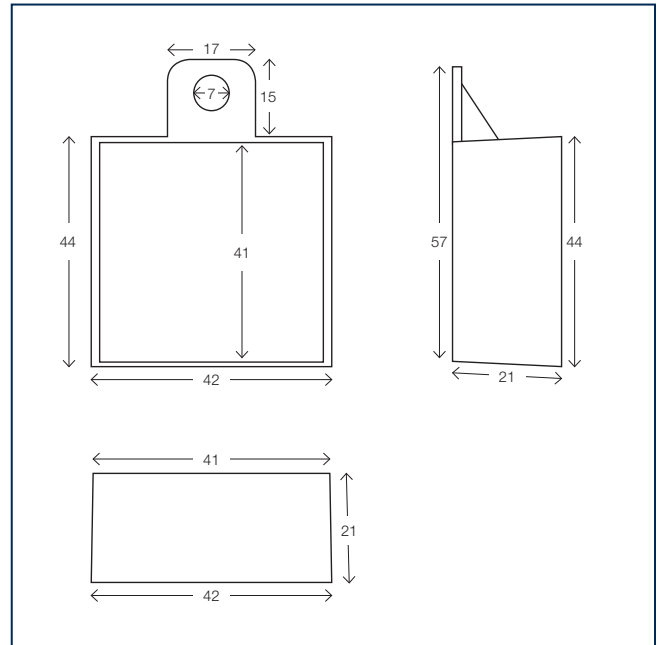
Wiring Instructions for AVSMM0D1

To work with left turn signal

- RED** – vehicle positive
- BLACK** – vehicle negative
- BLUE** – left indicator
- WHITE** – right indicator
- YELLOW** – output

*Fit blue to right indicator and white to left indicator if equipment is to be used when right turn signal on.

AVSMM0D1 provides a constant output when the vehicle turn indicator is on. This allows for the fitment of equipment (sensors, cameras, alarms) that are required to work when the vehicle is turning. AVSMM0D1 senses when the hazards are on and overrides the output.



Wiring Instructions for EPS1

- RED** – vehicle positive
- BLACK** – vehicle earth
- BLUE** – connect to either buzzer wire from sensor kit ecu
- GREEN/YELLOW/WHITE** – connect to black wire on talking alarm

EPS1 gives you the benefit of being able to fit up to 3 extra alarms to work with any parking or side sensor system.

Should a hazard be detected a clear instruction will sound.

Example's "caution you are too close to this vehicle" and "driver check your mirrors".

