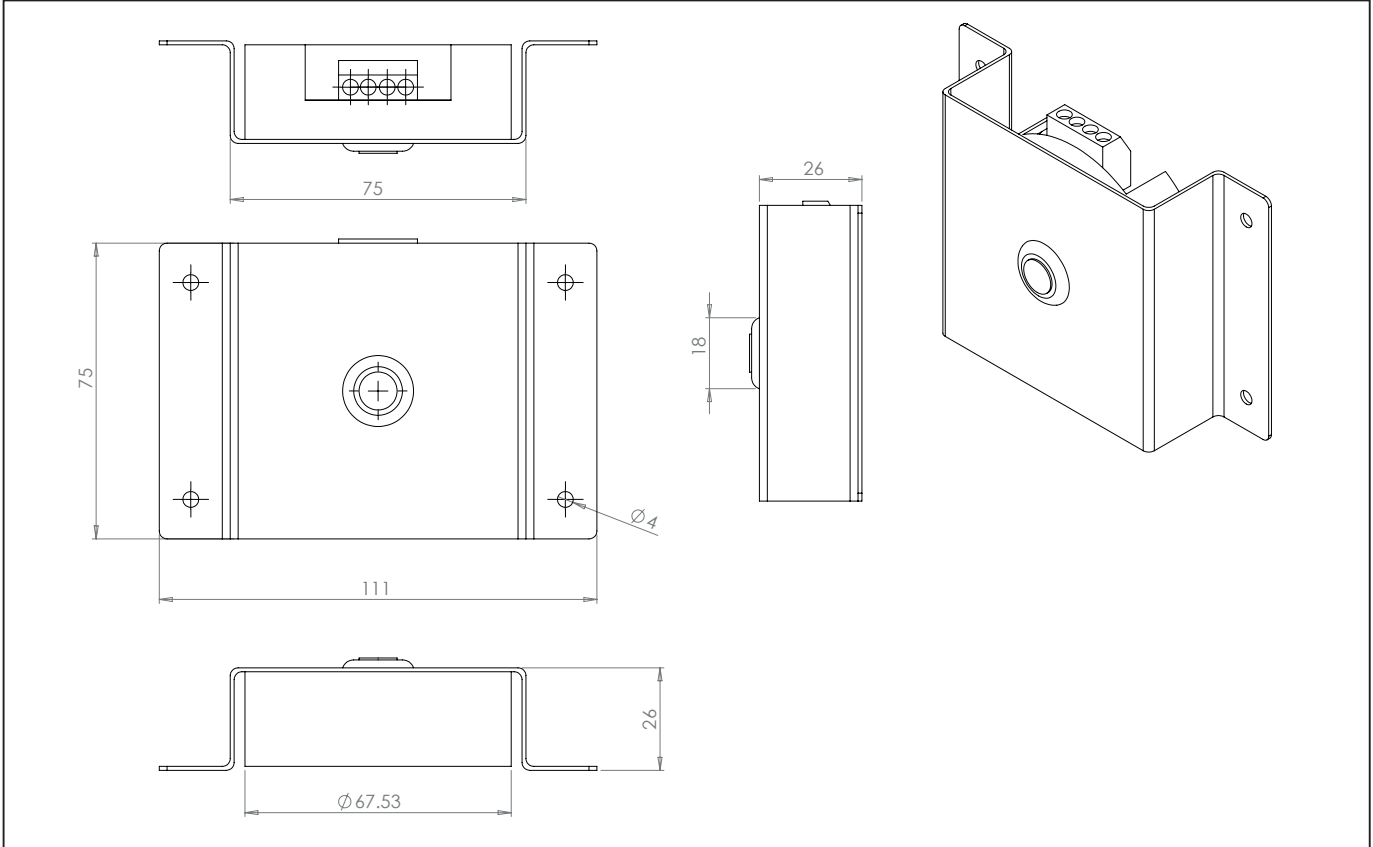
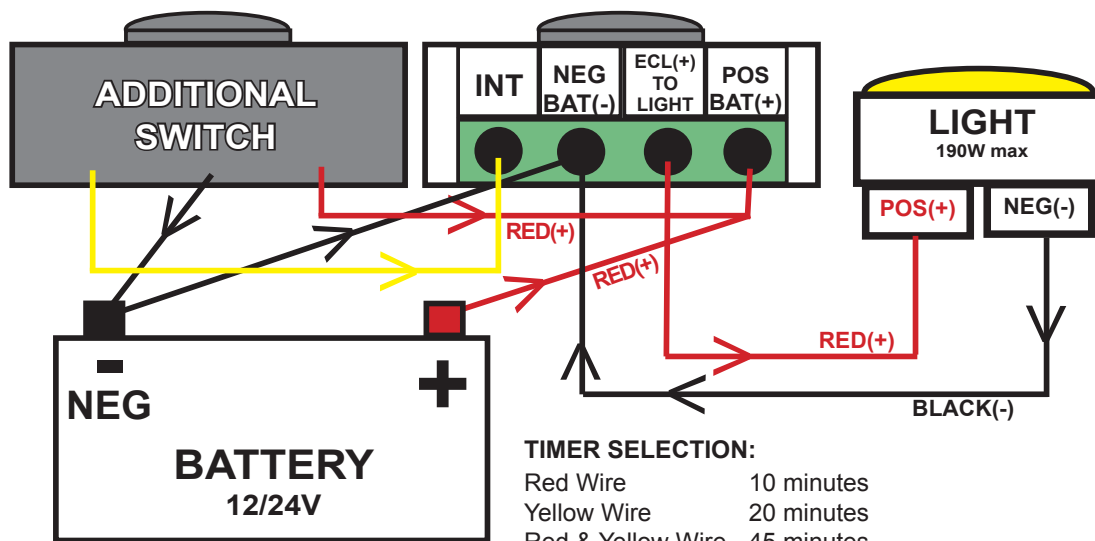




TIMER SWITCHES & MODULES



STAINLESS STEEL SWITCH FITTING INSTRUCTIONS



TIMER SELECTION:

Red Wire	10 minutes
Yellow Wire	20 minutes
Red & Yellow Wire	45 minutes

- Cut link wire to desired time
- Connect the switch as per diagram
- Before timer runs out the lights will flash to warn operator.
- The timer can be over-ridden at any time manually.

