

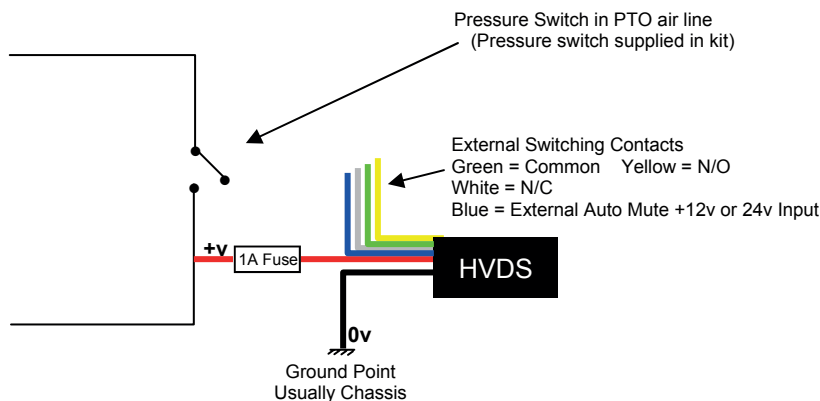


OVERHEAD CABLE DETECTOR

The Amber Valley HVDS is designed to prevent vehicles and machinery with a variable height from coming into contact with high voltage overhead power lines. The system consists of a cab mounted detection antenna and an in cab audio/visual warning unit. The system can sense the presence of overhead power cables from up to 80 meters away warning the operator of the potential danger. Supplied as a standalone unit (12-24v) or as an integrated part of Amber Valley's vehicle safety systems. Can be easily fitted to: Tipper Vehicles, Excavators, Telehandlers, Cranes, Platforms, JCBs etc...

Installation of Amber Valley HVDS

- The unit can be powered from 12v to 24v DC.
- The power for the HVDS should be picked up from the from the vehicle (see manufacturers guidelines). A pressure switch can be used in the PTO air line so that the HVDS only powers up when the PTO is activated DO NOT CONNECT THE HVDS DIRECTLY TO THE VEHICLES PTO SWITCH
- The detection antenna should be mounted to the roof of the vehicle or as high up as possible. Please ensure that the serrated teeth of the antenna base make contact with a metal surface, i.e. on the under side of the roof. See below...
- Use the 4 self tapping screws to mount the unit to a suitable location inside the cab.
- The detection aerial is connected to the control unit by a twist locking BNC connector.



- The HVDS unit is also be fitted with an external switching contact. The three connections are 'COMMON' (Green), 'N/O' (normally open) (Yellow) and N/C (normally closed) (White). When the HVDS detects overhead cables this relay contact will be switched.
- There is also the facility to mute the system via an external input. This can be done by connecting a +12v or +24v signal to the blue wire from the HVDS. Operation: Signal on Blue wire at 0v = The system will have a audible alarm. Signal on Blue wire at +12v or +24v = The system will be muted while the blue wire is held at +v. IMPORTANT - This input must be set to either +12v or +24v this is done by removing the rear casing from the unit and setting the blue jumper link marked "12v LINK". Operation: Blue jumper linking two pins = 12v operation. Two pins not linked = 24v operation. Note this only applies to the external mute feature. The units operating voltage is 12-24v DC.