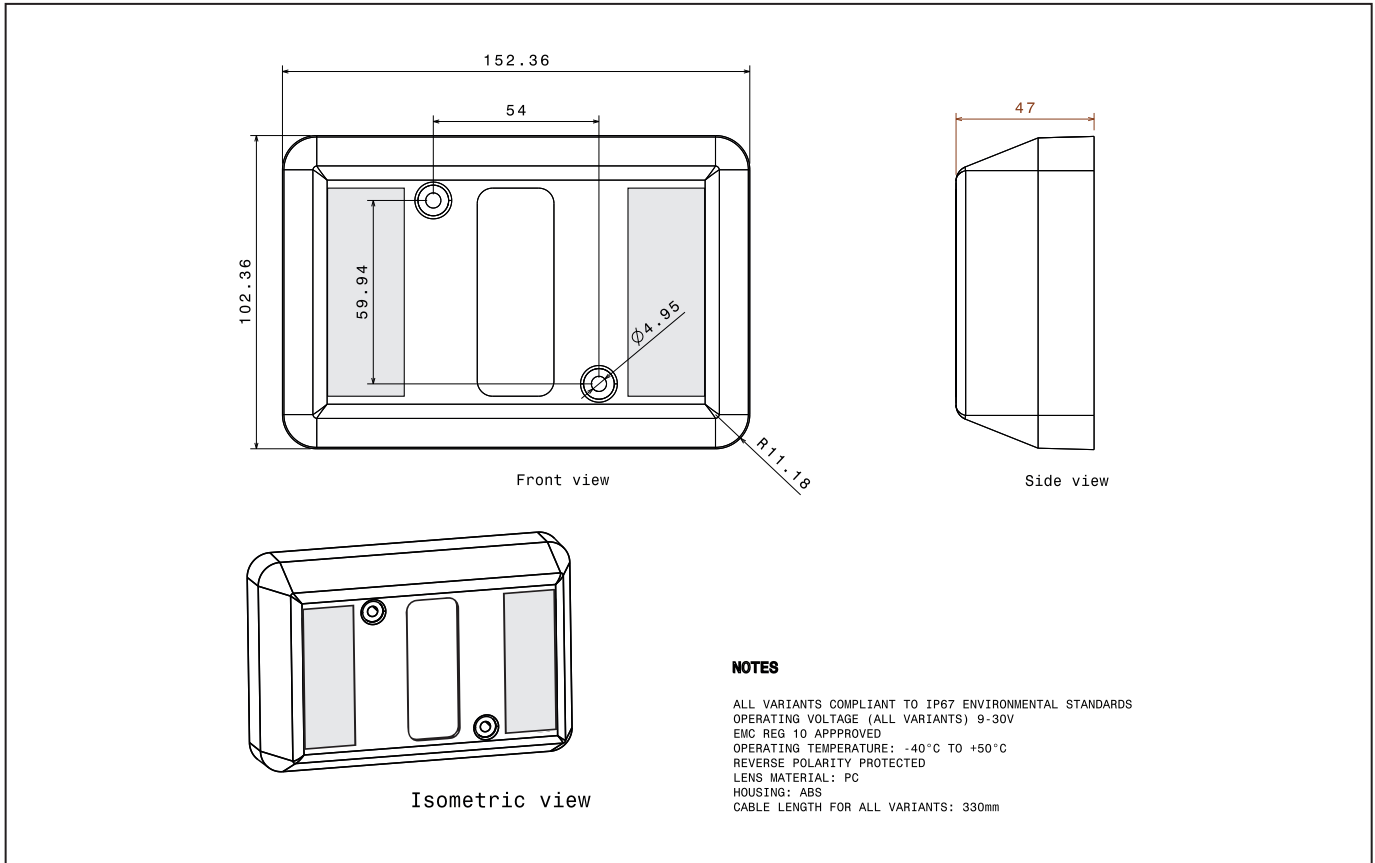




# EMERGENCY LIGHTS



The **AVTLF** and **AVTLR** ranges have been designed for use where trailers or other non powered equipment have been parked up in an area where visibility is a problem.

These pieces of equipment frequently cause accidents as they are not visible at night time.

The self-powered light is fitted to the trailer or machine – white for the front, amber for the rear.

Only the centre light is used to minimise the amount of power used and maximise the battery life between charges. The outer lenses are fitted with diamond grade reflective material to maximise the visibility.

The light also has a built-in light sensor to conserve power as it only works at night.

The battery on full charge will last for several weeks (typically three weeks).