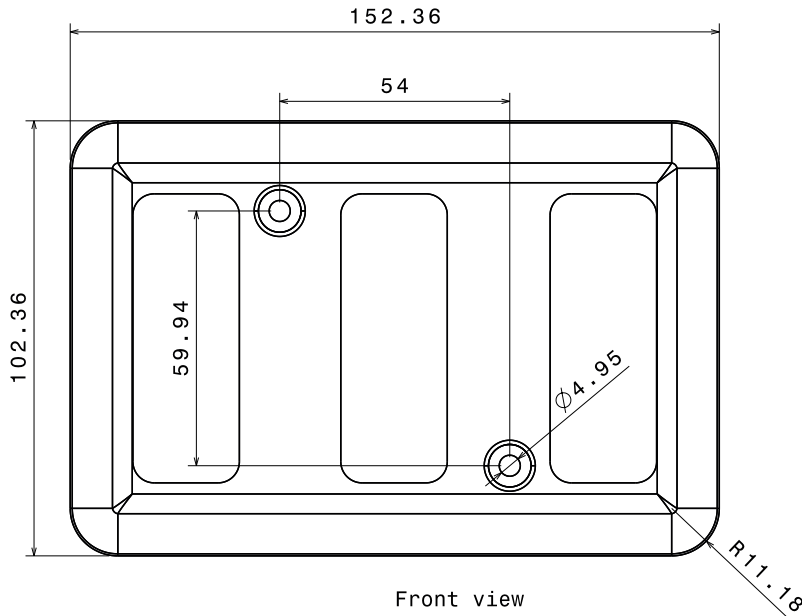
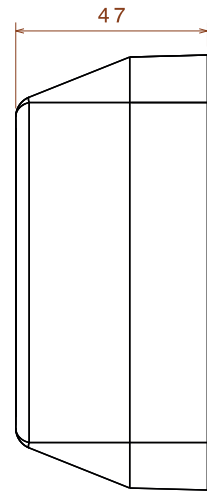




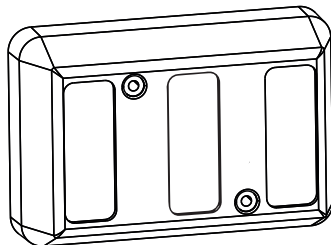
# OVERLOADER ALARMALIGHT®



Front view



Side view



Isometric view

## SPECIFICATION

1. RATED VOLTAGE 12-24V
2. WORKING VOLTAGE RANGE 12V THROUGH 24V
3. RATED CURRENT 550 MA
4. MIN DB RATING 92dB
5. FREQUENCY 950 +/- 10%
6. MODULATION 70 PER MINUTE WITH AMBER LIGHT, CONTINUOUS WITH RED LIGHT
7. OVERVOLTAGE AND SURGE PROTECTED
8. REVERSE POLARITY PROTECTED
9. FULLY ENCAPSULATED WATERPROOF TO IP67
10. ALL DIMENSIONS ARE IN MILLIMETRES
11. CASE MATERIAL ABS/ACRYLIC LENS
12. OPERATING TEMPERATURE -40° TO +50°
13. CABLE LENGTH 330MM

DRAWING NO: AVALTL01
CUSTOMER PART NO:
CUSTOMER:
AMBER VALLEY DEVELOPMENTS LLP